

AUTOMATIC ROLLOVER STRIPPING MACHINE

Rollovers are designed for years of hard work through simple, yet rugged construction automatic operation, all functions are controlled by the system PLC.

Remote high tolerance proximity and photoelectric sensors provide location and status signals to the PLC.

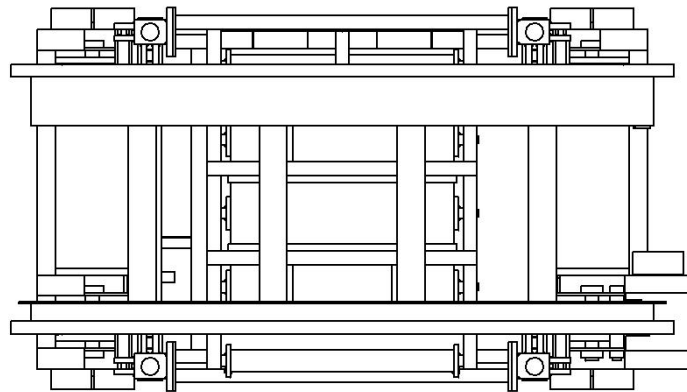
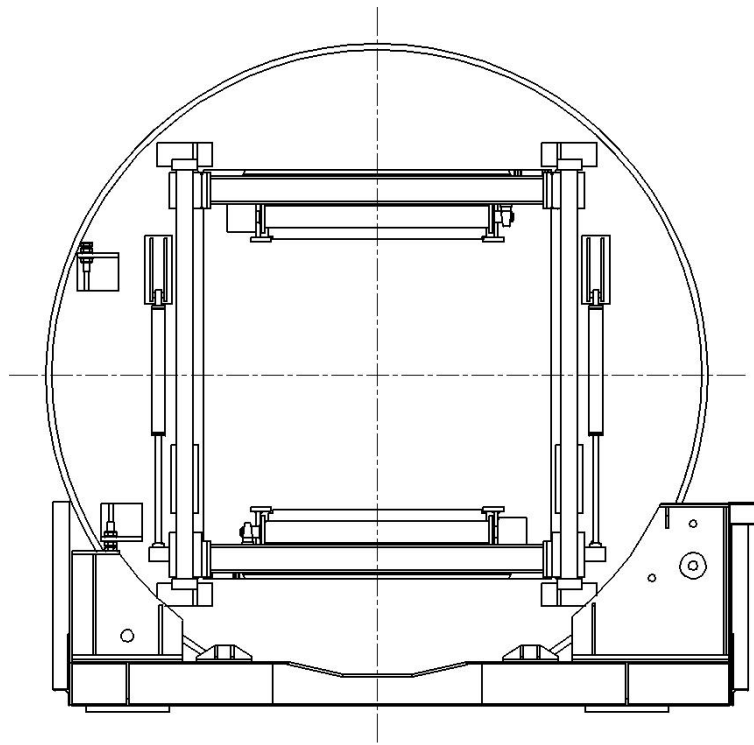
The machine runs in either manual or fully modes for flexibility.

For more information call us at +34 943635079 or visit us at www.ondarlan.com

ONDARLAN SL
Poligono Txirrita-Maleo 10
20100 Renteria
Gipuzkoa (SPAIN)

Ondarlan SL, a complete service to the Foundry Industry

AUTOMATIC ROLLOVER STRIPPING MACHINE



ROLLOVER MODEL	SIZES 1/2 BOXES
1	600 x 900 x 300
2	900 x 1.200 x 600
3	1.200 x 1.500 x 900
4	1.800 x 1.800 x 900
5	2.000 x 2.000 x 900
6	2.500 x 2.500 x 900
7	3.000 x 1.500 x 1.000



INDUCTOTHERM
GROUP IBERIA
ONDARLAN

Ondarlan S.L
Polígono Txirrita-Maleo 10
20100 Renteria, Gipuzkoa - SPAIN
Tel: +34 943 635079 - Fax: +34 943 635074
Email: oficina@ondarlan.com - www.ondarlan.com
IP. 80.36.14.53



INDUCTOTHERM
GROUP

Leading Manufacturers of Melting, Thermal Processing and
Production Systems for the Metals and Materials Industry Worldwide.