



ONDARMIX - SAND MIXERS

Our high speed continuous mixers are suitable for any chemically bonded sand system.

General features of all our mixers:

- Mixing axle with anti-scoring paddles.
- Mixing chamber empty after each stopping.
- PLC control for as many recipes as you need.
- Easy access to the control board and pumps.
- Interlocked security switches to access the mixing area.

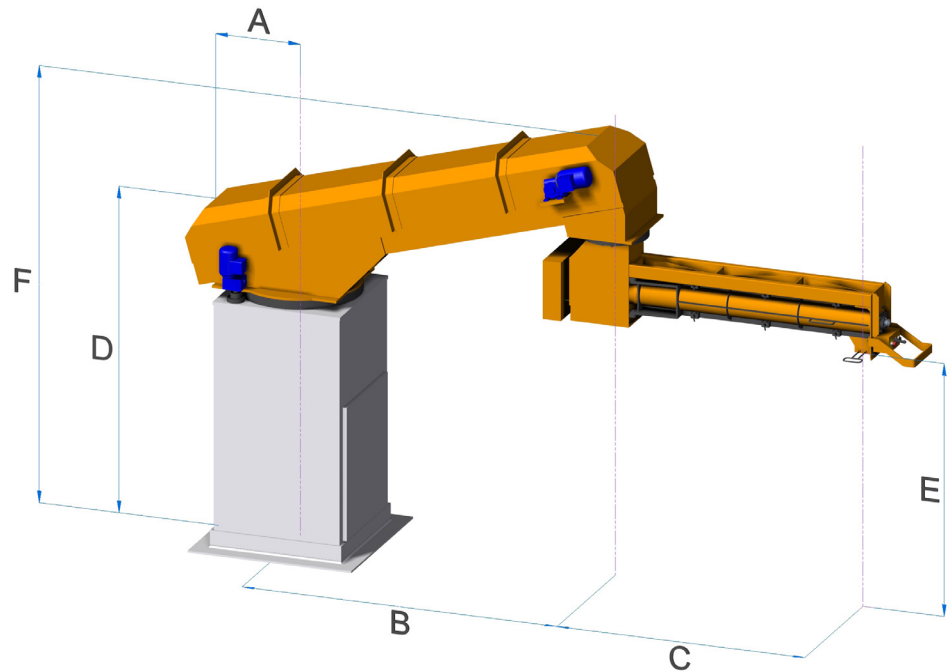
For more information call us at +34 943635079 or visit us at www.ondarlan.com

As specific features you can choose:

- PLC and flow switch control for using different quantities of quick and slow setting catalysers, depending on the ambient temperature.
- Sand gates for multiple kind of sand entries to the mixer.
- Pneumatic & PLC control of the percentage of each kind of sand.
- Quick change from contact sand to filling sand.
- Easily adaptable to dust additions volume proportioning.
- Motorised arms for remote control.

Ondarlan SL, a complete service to the Foundry Industry

ONDARMIX SF & CT (ARTICULATED MIXERS)



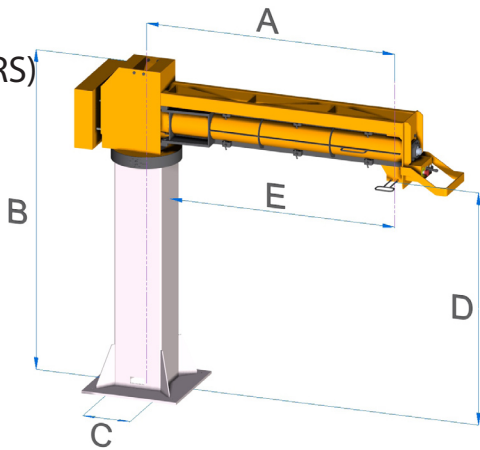
FOR MORE THAN ONE SAND

MODEL	FURAN	SILICATE	POWER	A	B*	C	D*	E*	F*
	kg/min	kg/min	kw	mm	mm	mm	mm	mm	mm
ONDARMIX 5 CT	85	65	6,75	610	2.500	1.582	2.230	1.455	2.380
ONDARMIX 10 CT	160	115	10,80	640	3.048	1.705	2.286	1.434	2.480
ONDARMIX 20 CT	320	230	14,30	640	3.048	1.965	2.286	1.372	2.840
ONDARMIX 30 CT	544	408	18,30	840	4.000	2.026	2.286	1.325	3.130
ONDARMIX 60 CT	1.000	750	48,00	960	4.000	2.550	2.286	1.325	3.265

FOR ONLY ONE SAND

MODEL	FURAN	SILICATE	POWER	A	B*	C	D*	E*	F*
	kg/min	kg/min	kw	mm	mm	mm	mm	mm	mm
ONDARMIX 5 SF	85	65	6,75	1.110	2.500	1.582	2.030	1.325	2.860
ONDARMIX 10 SF	160	115	10,80	1.350	3.881	1.705	2.086	1.437	3.030
ONDARMIX 20 SF	320	230	14,30	1.350	3.881	1.965	2.086	1.355	3.030
ONDARMIX 30 SF	544	408	18,30	1.350	3.881	2.026	2.086	1.225	3.030
ONDARMIX 60 SF	1.000	750	48,00	1.390	4.000	2.550	2.286	1.325	3.130

ONDARMIX (PIVOTED MIXERS)



MODEL	FURAN	SILICATE	POWER	A	B*	C	D*	E
	kg/min	kg/min	kw	mm	mm	mm	mm	mm
ONDARMIX 3	50	38	3,75	1.115	1.600	250	1.095	990
ONDARMIX 5	85	65	4,75	1.582	2.015	300	1.455	1.375
ONDARMIX 10	165	115	5,10	1.710	2.080	400	1.420	1.510
ONDARMIX 20	330	230	12,10	1.965	2.200	400	1.370	1.700
ONDARMIX 30	500	400	16,10	2.030	2.275	400	1.405	1.700
ONDARMIX 60	1.000	750	42,00	2.550	2.340	600	1.325	2.250

Note: The dimensions marked with an asterisk can be modified.



Ondarlan S.L
 Polígono Txirrita-Maleo 10
 20100 Renteria, Gipuzkoa
 SPAIN
 Tel: +34 943 635079
 Fax: +34 943 635074
 Email: oficina@ondarlan.com
www.ondarlan.com
 IP. 80.36.14.53

