

## ONDARMEC MECHANICAL SAND RECLAMATION

Do you know you can reuse most of the sand from your moulds and cores?

Start saving money with a quick payback, and at the same time be green and reduce your wastage.

Economic, Ecological and Reliable!

These Ondarlan heavy duty vibrator units are designed for non-stop, 3 shift operation. Long life units thanks to their internal wear liners. 3 Levels of screens allow the incoming large lumps to be quickly reduced into perfectly scrubbed sand grains. Quick release doors permit the removal of any scrap hold in the unit.

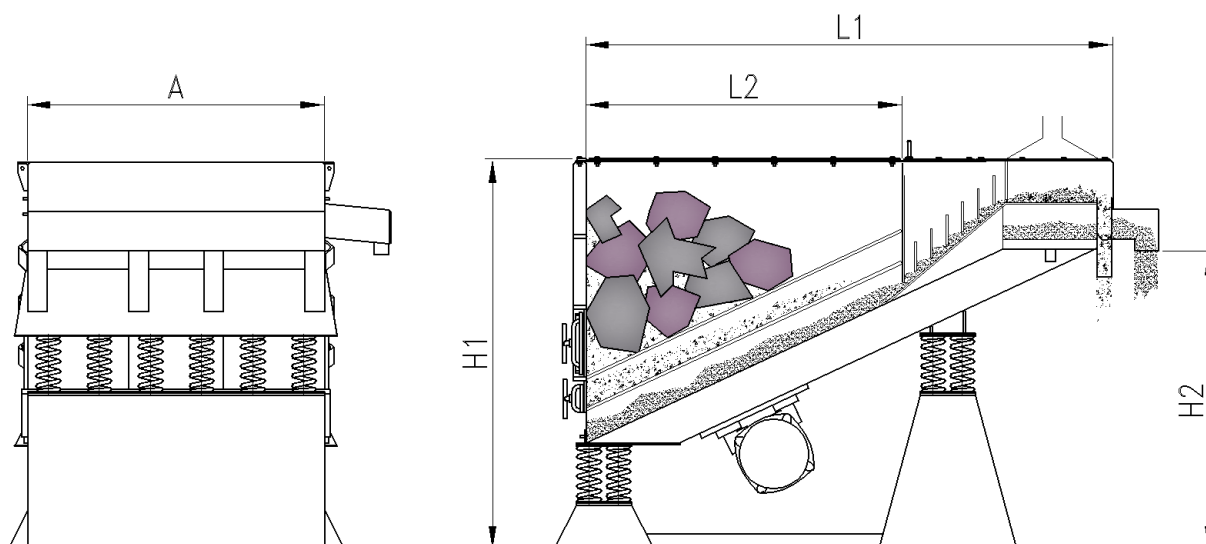
For more information call us at +34 943635079 or visit us at [www.ondarlan.com](http://www.ondarlan.com)

ONDARLAN SL  
Poligono Txirrita-Maleo 10  
20100 Renteria  
Gipuzkoa (SPAIN)

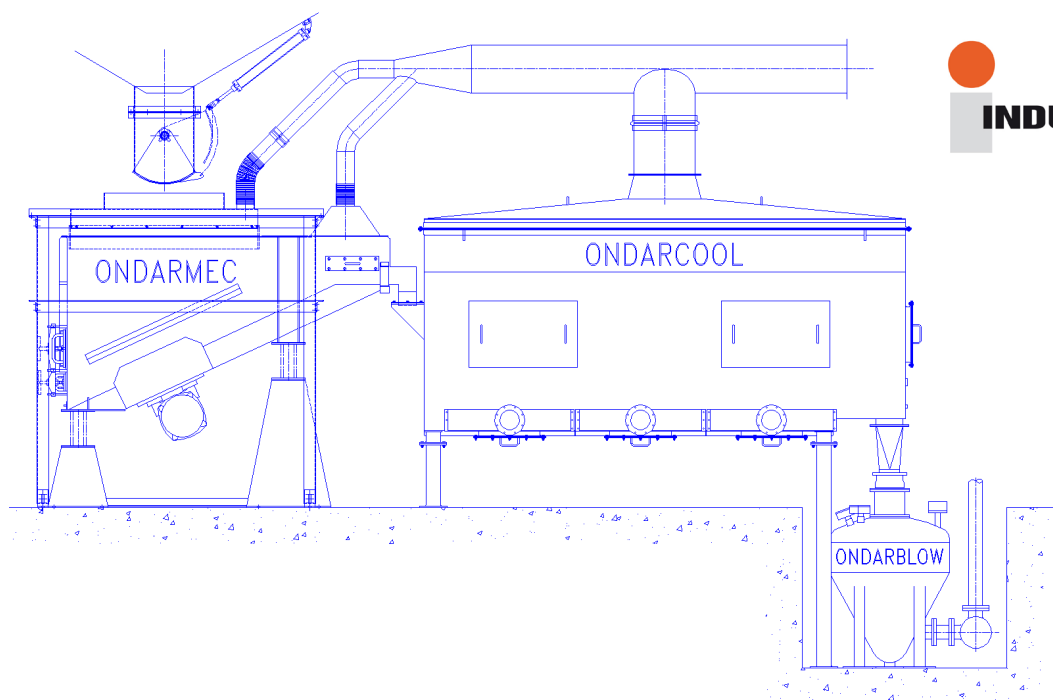
Ondarlan SL, a complete service to the Foundry Industry

# ONDARMEC

## MECHANICAL RECLAMATION MODELS AND FEATURES



FEATURES	ONDARMEC MODEL				
	M3	M5	M10	M15	M20
PRODUCTION (T/hour)	3	5	10	15	20
MOTOR (HP)	3,1	5,4	8,3	13,1	2 x 10
m3 OF SAND IN THE UNIT	0,22	0,56	0,94	1,25	1,25
H1: IN HEIGHT (mm)	1.350	1.650	1.650	1.950	1.950
H2: OUT HEIGHT (mm)	1.125	1.400	1.400	1.500	1.500
L1: LENGTH (mm x mm)	2.100	2.800	2.800	2.800	2.800
L2 x A: FEED AREA (mm x mm)	1.200 x 800	1.700 x 700	1.700 x 700	1.700 x 1.550	1.700 x 1.550
EXTRACTION (m3 / h)	4.000	4.500	6.500	11.000	12.500



**INDUCTOTHERM GROUP** IBERIA  
**ONDARLAN**

Ondarlan S.L  
 Polígono Txirrita-Maleo 10  
 20100 Renteria, Gipuzkoa  
 SPAIN  
 Tel: +34 943 635079  
 Fax: +34 943 635074  
 Email: oficina@ondarlan.com  
 www.ondarlan.com  
 IP. 80.36.14.53

